

# PS530 (B542)

(RoHS Compliant Materials)

**PS530 (B542)**

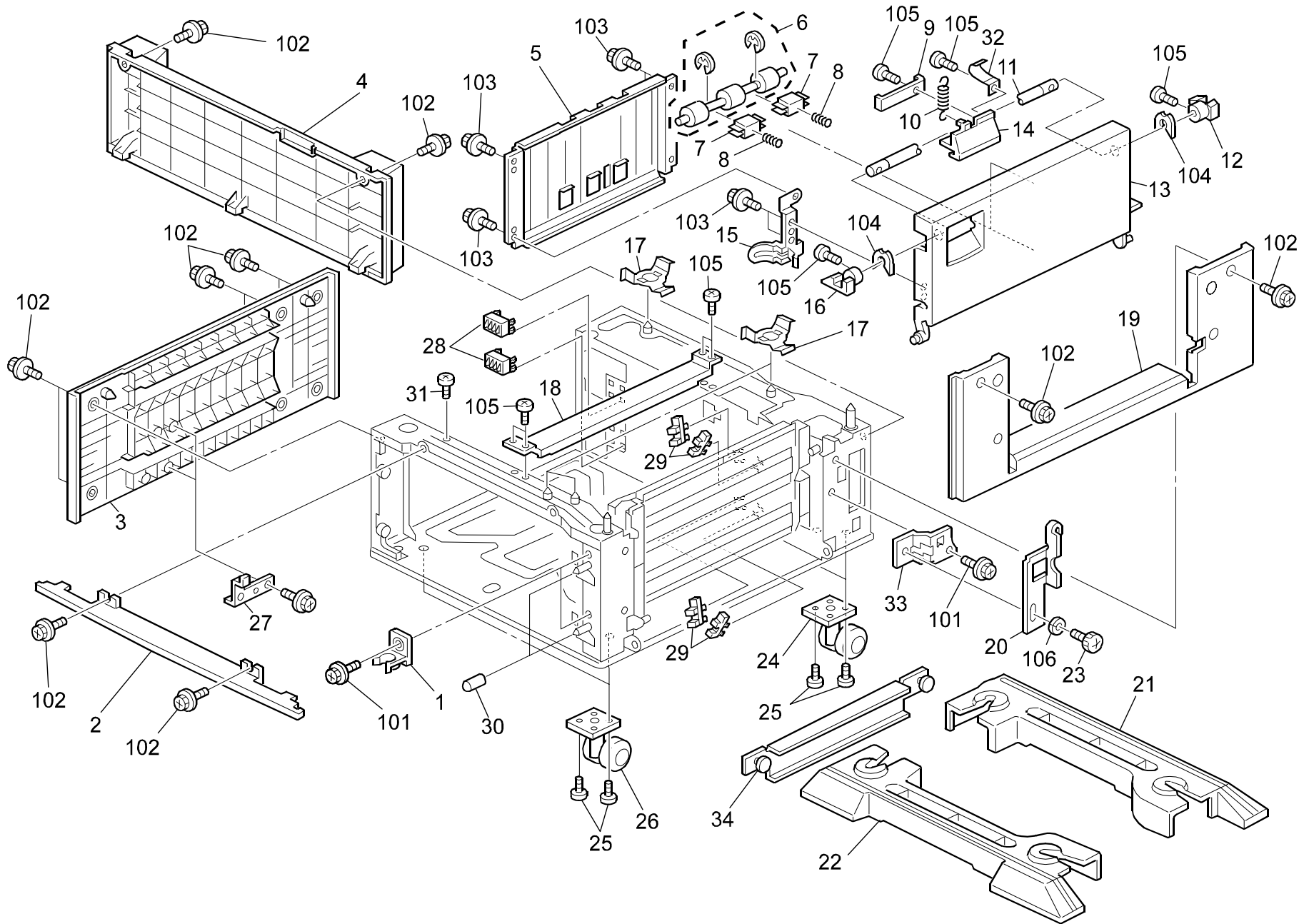
**PARTS CATALOG**

This catalog gives the numbers and names of parts on this machine.

1.EXTERIOR (B542) .....	2
2.PAPER TRAY (B542).....	4
3.PAPR REGISTRATION (B542).....	6
4.DDRIVE SECTION (B542) .....	8
5.DRIVE AND ELECTRICAL SECTION (B542).....	10
<b>PARTS INDEX .....</b>	<b>13</b>

**July ,01 ' 2005**

# 1.EXTERIOR (B542)

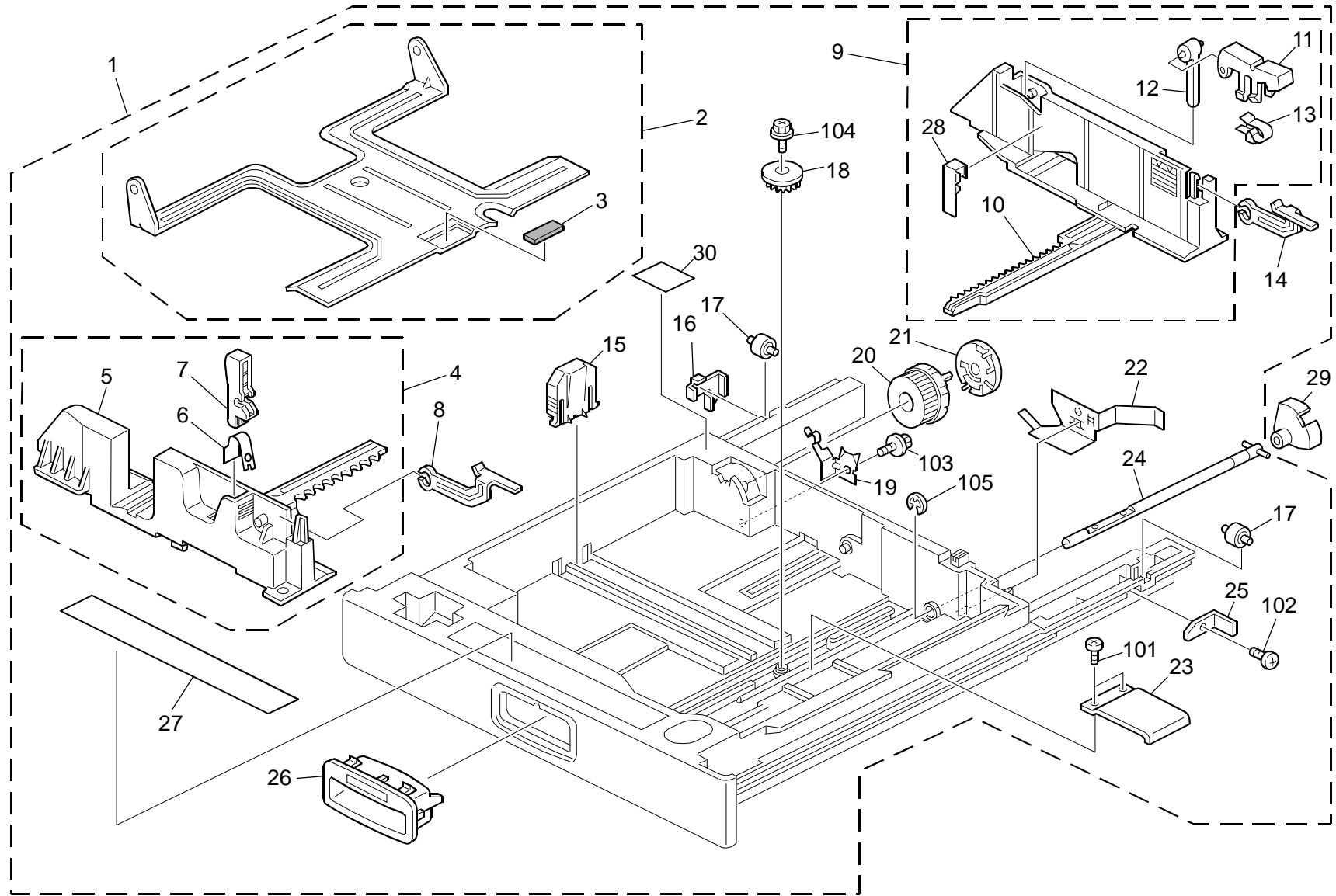


## 1.EXTERIOR (B542)

Index No.	Part No.	Description	Q'ty Per Assembly
1	A232 2995	Front Positioning Guide	2
2	B542 1260	Cover:Front Upper:Paper Bank	1
3	B542 1253	Cover:Left:Paper Bank	1
4	B542 1251	Cover:Rear:Paper Bank	1
5	B542 2561	Guide Plate:Vertical Transport	1
6	B542 2862	Roller:Driven:Ass'y	2
7	AA08 0254	Bushing - M4	4
8	AA06 3573	Compression Spring	4
9	B542 2559	Stopper:Lever:Vertical Transport	1
10	AA06 0715	Pressure Spring	1
11	AA14 0670	Un Lock Shaft	1
12	A682 2553	Rear Hook - Vertical Transport Cover	1
13	G568 2550	Cover:Vertical Transport:Paper Bank	1
14	G568 2551	Lever - Vertical Transport	1
15	B598 2565	Stopper:Vertical Transport:Peen	1
16	A682 2552	Front Hook - Vertical Transport	1
17	A682 1074	Grounding Plate	4
18	B542 1067	Stay:Upper:Protect	1
19	B542 1250	Cover:Right:Paper Bank	1
20	B601 6310	Bracket:Coupling:Paper Bank	1
21	A682 6167	Rear Stand	1
22	A682 6166	Front Stand	1
23	G568 6220	Fixing Screw	1
24	AH01 2014	Caster - 60kgf	2
25	A507 1096	Philips Screw - M5x6	16
26	AH01 2013	Stopper Caster - 60kgf	2
27	B077 1286	Stopper:Left	2
28	G020 2620	Push Switch - Paper Size	2
29	AW02 0160	Paper Feed Sensor	4
30	B004 2995	Cap - Positioning	1
31	A217 1340	Knob Screw - M4x10	1
32	G569 2570	Grounding Plate - Vertical Transport Shaft	1
33	B601 6311	Bracket:Coupling:2	1
34	B542 6170	Bracket:Stand:Front Rear:Peen	1

Index No.	Part No.	Description	Q'ty Per Assembly
101	0451 3006N	Tapping Screw - 3x6	
102	0451 3008N	Tapping Screw - M3x8	
103	0450 4010N	Tapping Screw:M4x10	
104	0805 0088	Retaining Ring - M6	
105	0453 3006N	Tapping Screw - M3x6	
106	0703 0040N	Spring Washer:Dia4	

## 2.PAPER TRAY (B542)

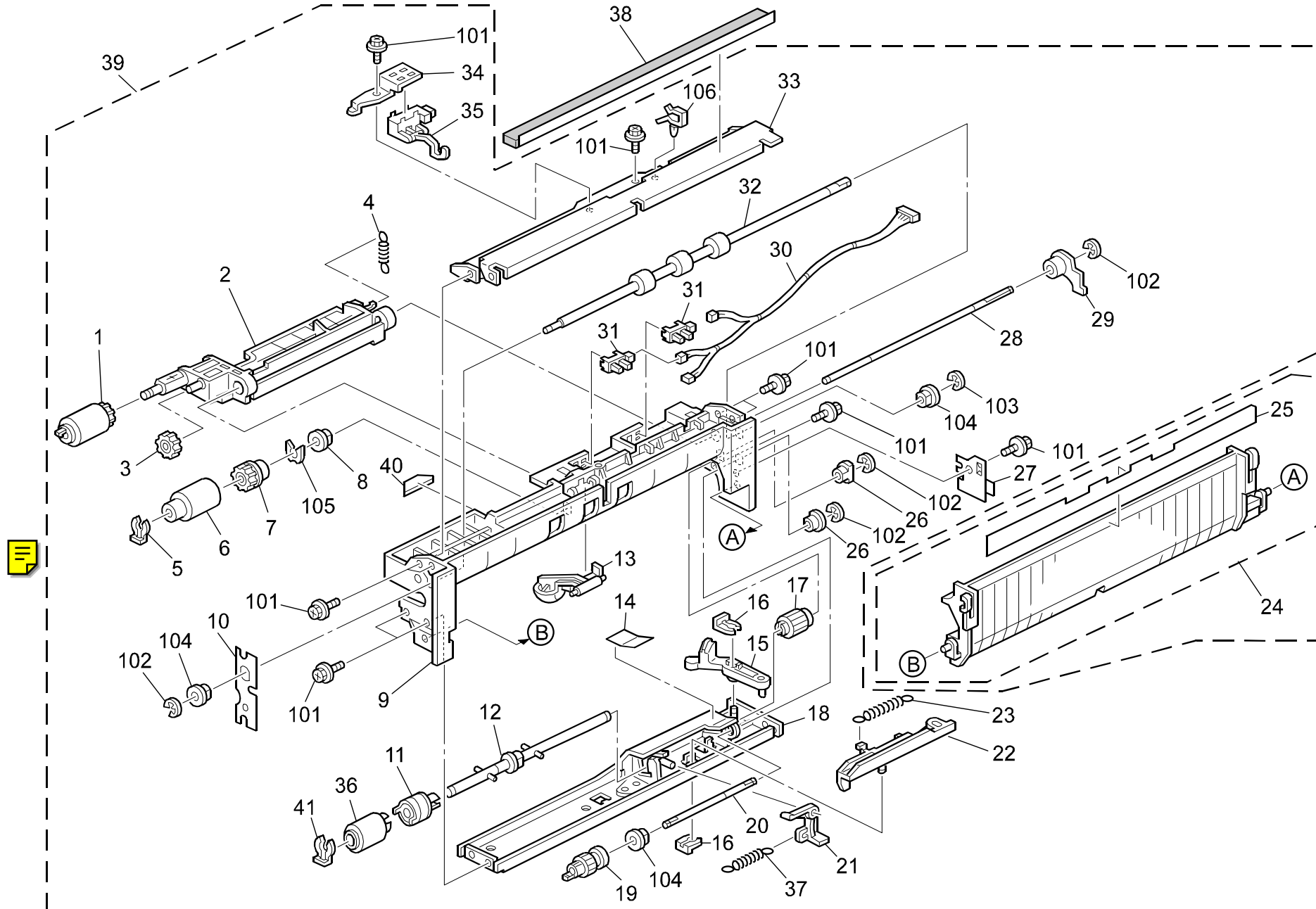


## 2.PAPER TRAY (B542)

Index No.	Part No.	Description	Q'ty Per Assembly
1	B213 2903	Paper Tray:Universal	1
2	B077 2940	Tray Bottom Plate:Ass'y	4
3	AF01 3006	Bottom Plate Pad	1
4	B082 2920	Side Fence:Front:Ass'y	1
5	B077 2921	Side Fence:Front	1
6	B004 2923	Spring Plate - Release Lever	1
7	B004 2922	Release Lever - Side Fence	1
8	B082 2937	Paper Stopper:Side Fence	1
9	B082 2930	Side Fence:Rear:Ass'y	1
10	B077 2931	Side Fence:Rear	1
11	B004 2932	Rear Stopper Lever	2
12	B004 2933	Rear Stopper	1
13	B004 2934	Spring Plate - Lock Lever	1
14	B082 2937	Paper Stopper:Side Fence	1
15	AF01 7026	End Fence	1
16	B077 2952	Shoe:Left	1
17	A232 2987	Roller - Paper Tray	2
18	B004 2936	Gear - 16Z	1
19	B004 2947	Spring Plate-paper Size Sensor	1
20	B082 2955	Dial:Paper Size Sensor:Printing	1
21	B004 2948	Paper Size Sensor	1
22	B004 2943	Grounding Plate - Paper Tray	1
23	B077 2975	Lever:Rise	1
24	B213 2915	Shaft:Rise	1
25	B077 2951	Stopper:Right:Paper Tray	1
26	B077 2988	Cover:Grip:C3	1
27	B082 2965	Decal:Paper Set Direction	1
28	B082 2925	Shield:Side Fence:Ass'y	1
29	A235 2979	Feeler - Paper Height Sensor	1
30	B213 2967	Decal:Paper Select:Dial:EXP	1

Index No.	Part No.	Description	Q'ty Per Assembly
101	0353 0060N	Philips Pan Head Bind Screw - M3x6	
102	0452 3008N	Tapping Screw - M3x8	
103	0450 4008N	Tapping Screw - M4x8	
104	0450 3008B	Tapping Screw - M3x8	
105	0720 0060E	Retaining Ring - M6	

### 3.PAPR REGISTRATION (B542)



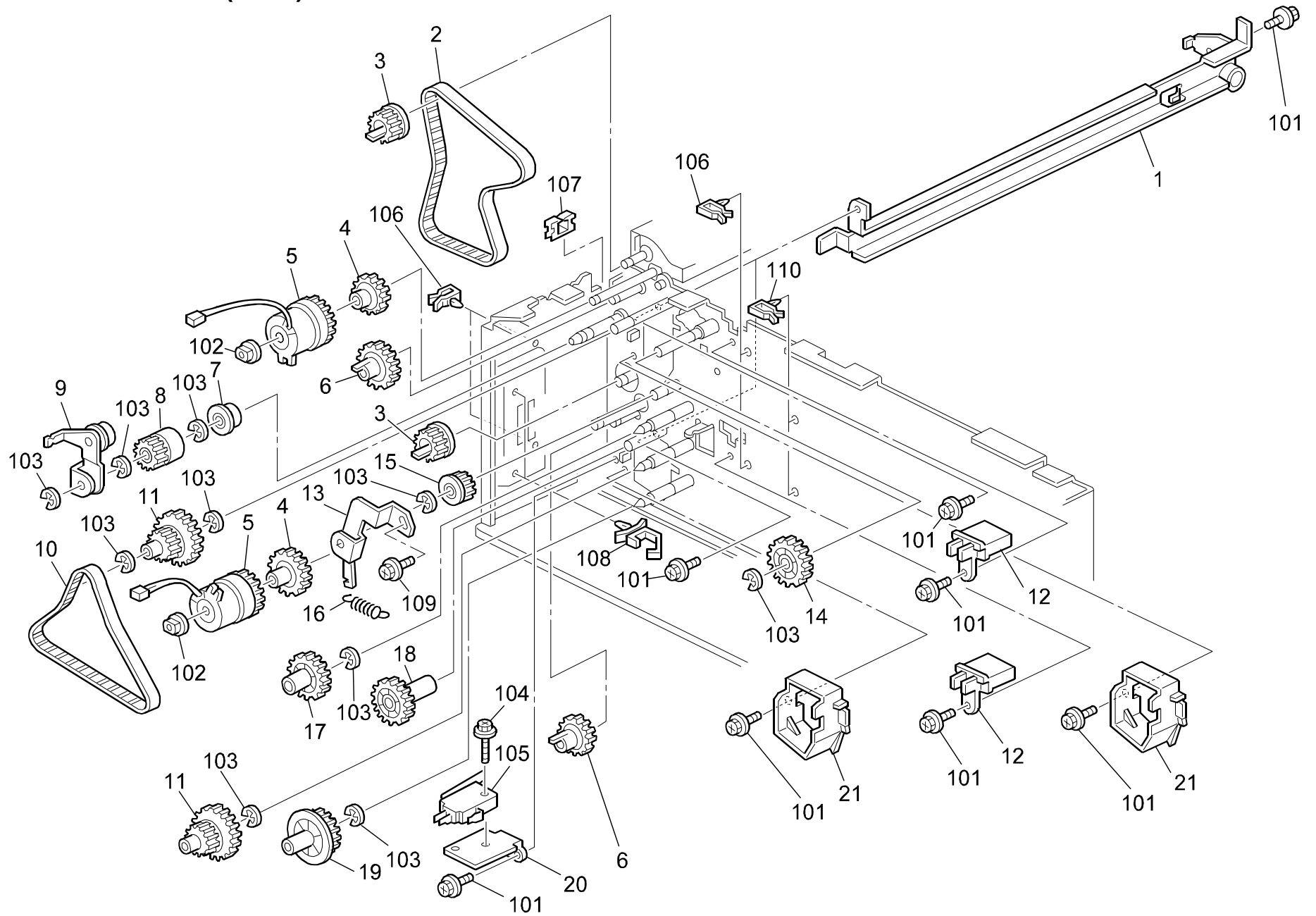
### 3.PAPR REGISTRATION (B542)

Index No.	Part No.	Description	Q'ty Per Assembly
1	<b>AF03 0090</b>	<b>Paper Feed Roller:Pickup</b>	1
2	A232 2763	Pick-up Arm	1
3	AB01 1188	Gear - 21Z	1
4	AA06 0691	Tension Spring	1
5	5447 2681	Snap Ring	2
6	<b>AF03 1090</b>	<b>Paper Feed Roller:Feed</b>	1
7	AB01 1189	Gear - 18Z	1
8	AA08 2070	Bushing - 8x16x7	1
9	B082 2760	Housing:Paper Feed Unit	1
10	A232 2765	Front Grounding Plate	1
11	B004 2783	Torque Limiter	1
12	B213 2777	Shaft:Separate:Driven	1
13	A232 2762	Paper End Feeler	1
14	B004 2782	Rear Feed Mylar	1
15	G065 2776	Release Lever	1
16	5206 2686	Snap Ring	2
17	AB01 0157	Gear:Separate:Driven	1
18	B213 2770	Separation Stay	1
19	AB01 0156	Gear:Separate:Drive	1
20	B213 2784	Shaft:Separate:Drive	1
21	G065 2774	Pressure Lever	1
22	G065 2775	Link Lever	1
23	AA06 0908	Release Spring	1
24	B082 2785	Guide Plate:Swivel:Adhesion	1
25	A232 2787	Vertical Transport Guide	1
26	AA08 2072	Bushing - M6	2
27	A232 2764	Rear Grounding Plate	1
28	AA14 0655	Shaft - Paper Feed	1
29	G065 2767	Lever - Feed	1
30	B082 5428	Harness:Paper Feed Unit	1
31	AW02 0145	Photointerruptor:Flat	2
32	AF02 0648	Transport Roller:Drive	1
33	B077 2780	Stay:Feed	1
34	B077 2781	Bracket:Sensor	1
35	AW02 0157	Paper Feed Sensor	1

Index No.	Part No.	Description	Q'ty Per Assembly
36	<b>AF03 2090</b>	<b>Paper Feed Roller:Separate</b>	1
37	AA06 0693	Tension Spring	1
38	B542 2570	Guard:Paper Feed Unit:Upper:Ass'y	1
39	B213 2750	Paper Feed Unit	1
40	A232 2766	Feed Mylar	1
101	0451 3008B	Tapping Screw - M3x8	
102	0720 0040E	Retaining Ring - M4	
103	0720 0060E	Retaining Ring - M6	
104	0805 3480	Bushing - 6mm	
105	0805 0089	Retaining Ring - M4	
106	1105 0283	Clamp	



# 4.DDRIVE SECTION (B542)

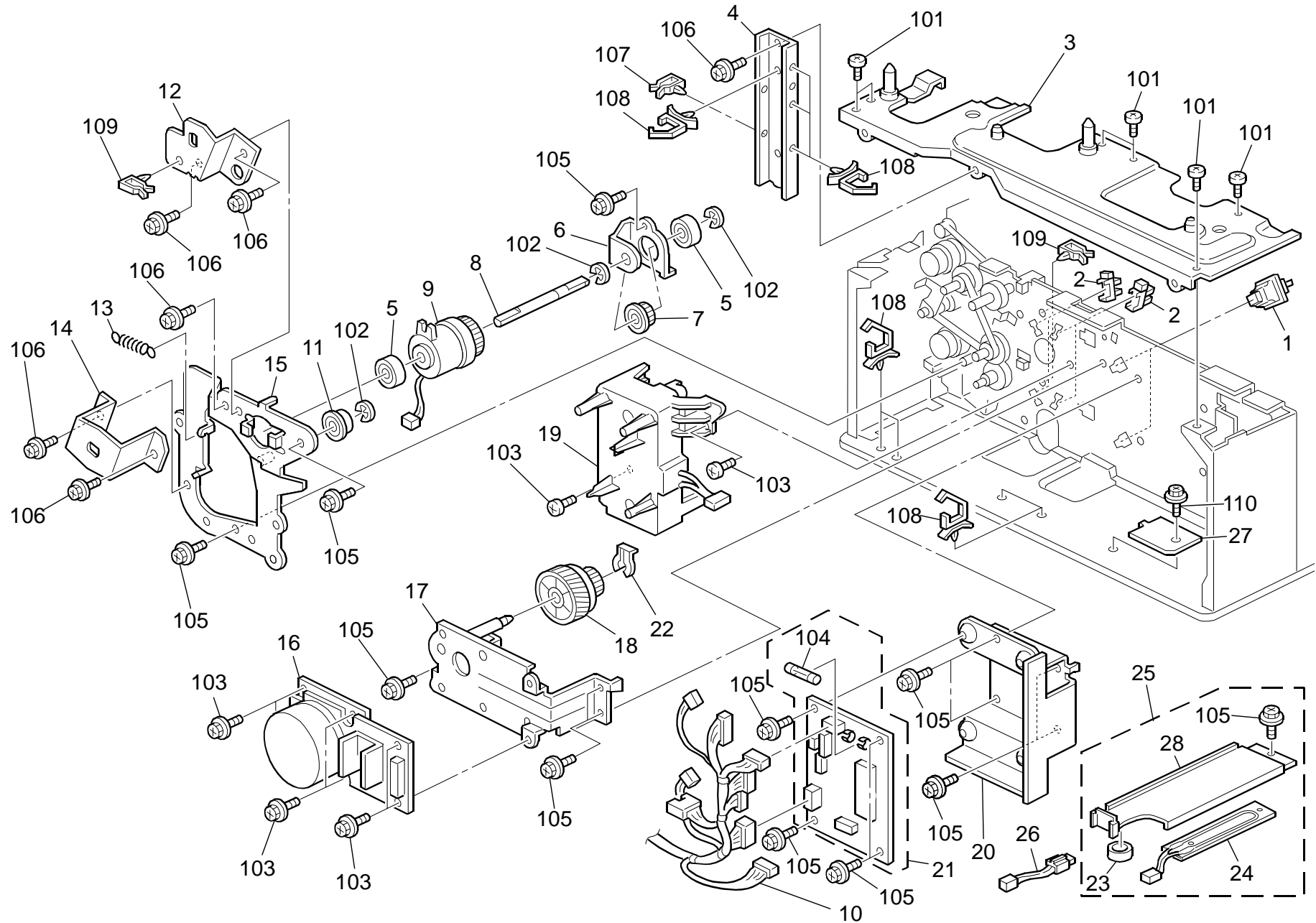


#### 4.DDRIVE SECTION (B542)

Index No.	Part No.	Description	Q'ty Per Assembly
1	B077 2990	Supporter:Paper Tray:Ass'y	2
2	AA04 3445	Timing Belt - S3M-360	1
3	AB03 0625	Timing Pulley - 20Z	2
4	AB01 4037	Gear - 24Z	2
5	AX20 0153	Electrical Clutch	2
6	AB01 4038	Gear - 22Z	2
7	B542 0590	Pulley:Tension:Mm17	1
8	AB03 0575	Timing Pulley - 20T	1
9	B542 1170	Tightener:Paper Feed:Ass'y	1
10	AA04 3446	Timing Belt - S3M-312	1
11	B542 0561	Timing Pulley:Gear:20t:Z31	2
12	A682 2996	Positioning Guide	2
13	B542 2703	Tightener:Middle:Ass'y	1
14	AB01 4066	Gear - 31Z	1
15	AB03 0566	Timing Pulley - 20T	1
16	AA06 0695	Tension Spring	1
17	AB03 0567	Timing Pulley - 18T	1
18	AB01 4039	Gear - 31Z	1
19	AB01 4040	Gear - 29Z	1
20	B077 2882	Bracket:Micro Switch	1
21	A232 2692	Cover - Paper Drive	2

Index No.	Part No.	Description	Q'ty Per Assembly
101	0451 3006N	Tapping Screw - 3x6	
102	0805 3480	Bushing - 6mm	
103	0720 0060E	Retaining Ring - M6	
104	0451 3014N	Tapping Screw:3x14	
105	1204 2529	Switch - V-5F912DN	
106	1105 0290	Harness Clamp - Horizontal	
107	1105 0113	Edge - P108	
108	1105 0310	Harness Clamp - LWS-1S	
109	0951 3006B	Philips Screw With Flat Washer - M3x6	
110	1105 0283	Clamp	

# 5.DRIVE AND ELECTRICAL SECTION (B542)



## 5.DRIVE AND ELECTRICAL SECTION (B542)

Index No.	Part No.	Description	Q'ty Per Assembly
1	G020 2620	Push Switch - Paper Size	2
2	AW02 0160	Paper Feed Sensor	4
3	B542 1054	Stay:Rear Upper:Peen	1
4	B542 1071	Supporting Plate:Frame:Rear	1
5	0740 3008	Ball Bearing - 8x22x7	2
6	B542 2702	Bracket:Middle	1
7	AB03 0567	Timing Pulley - 18T	1
8	AA14 5260	Gear Shaft	1
9	AX20 0280	Magnetic Clutch:0.5n.m:28z	1
10	B542 5310	Harness:Main:Florida-D:Ass'y	1
11	B542 0590	Pulley:Tension:Mm17	1
12	B542 1120	Guide Plate:Upper	1
13	AA06 0694	Tension Spring	1
14	B542 2711	Guide Plate:Lower	1
15	B542 1110	Bracket:Protect:Ass'y	1
16	AX06 0316	DC Motor:Brushless Motor:S	1
17	B542 1150	Bracket:Brushless Motor:Peen	1
18	AB01 4065	Coupling Gear - 49z/27z	1
19	AX04 0224	DC Motor:Rise	1
20	B542 1075	Bracket:Interface Board	1
21	B542 5150	Interface Board:Florida-d:Ass'y	1
22	5215 2621	Snap Ring - M6	1
23	A230 2525	Heater Stopper	1
24	AX40 0168	Heater:3.5w:Na/eu	1
25	B542 2511	Heater:Na:Ass'y	1
26	B542 5330	Harness:Ac Power Supply	1
27	B542 1082	Shielding Plate:Base	1
28	B077 2512	Heat Sink:Heater	1

Index No.	Part No.	Description	Q'ty Per Assembly
101	0453 3006N	Tapping Screw - M3x6	
102	0720 0060E	Retaining Ring - M6	
103	0451 3008B	Tapping Screw - M3x8	
104	1107 0392	Fuse - 6.3A 125V	
105	0451 3006N	Tapping Screw - 3x6	
106	0951 3006B	Philips Screw With Flat Washer - M3x6	
107	1105 0290	Harness Clamp - Horizontal	
108	1105 0310	Harness Clamp - LWS-1S	
109	1105 0283	Clamp	
110	0802 5276	Tapping Screw With Washer - M3x6	

# Parts Index

## PM Parts Index

Section Name	Part No.	Description in Service Manual	Description in Parts Catalog	Q'ty Per Assembly	Page and Index No.
PAPR REGISTRATION (B542)	AF03 1090	Feed Roller	Paper Feed Roller:Feed	1	7 - 6
PAPR REGISTRATION (B542)	AF03 0090	Pick-up Roller	Paper Feed Roller:Pickup	1	7 - 1
PAPR REGISTRATION (B542)	AF03 2090	Separation Roller	Paper Feed Roller:Separate	1	7 - 36

## Parts Index

Part No.	Description	Page and Index No.
B542 0561	Timing Pulley:Gear:20t:Z31	9 - 11
B542 0590	Pulley:Tension:Mm17	11 - 11
B542 0590	Pulley:Tension:Mm17	9 - 7
B542 1054	Stay:Rear Upper:Peen	11 - 3
B542 1067	Stay:Upper:Protect	3 - 18
B542 1071	Supporting Plate:Frame:Rear	11 - 4
B542 1075	Bracket:Interface Board	11 - 20
B542 1082	Shielding Plate:Base	11 - 27
B542 1110	Bracket:Protect:Ass'y	11 - 15
B542 1120	Guide Plate:Upper	11 - 12
B542 1150	Bracket:Brushless Motor:Peen	11 - 17
B542 1170	Tightener:Paper Feed:Ass'y	9 - 9
B542 1250	Cover:Right:Paper Bank	3 - 19
B542 1251	Cover:Rear:Paper Bank	3 - 4
B542 1253	Cover:Left:Paper Bank	3 - 3
B542 1260	Cover:Front Upper:Paper Bank	3 - 2
B542 2511	Heater:Na:Ass'y	11 - 25
B542 2559	Stopper:Lever:Vertical Transport	3 - 9
B542 2561	Guide Plate:Vertical Transport	3 - 5
B542 2570	Guard:Paper Feed Unit:Upper:Ass'y	7 - 38
B542 2702	Bracket:Middle	11 - 6
B542 2703	Tightener:Middle:Ass'y	9 - 13
B542 2711	Guide Plate:Lower	11 - 14
B542 2862	Roller:Driven:Ass'y	3 - 6
B542 5150	Interface Board:Florida-d:Ass'y	11 - 21
B542 5310	Harness:Main:Florida-D:Ass'y	11 - 10
B542 5330	Harness:Ac Power Supply	11 - 26
B542 6170	Bracket:Stand:Front Rear:Peen	3 - 34

Part No.	Description	Page and Index No.
A217 1340	Knob Screw - M4x10	3 - 31
A230 2525	Heater Stopper	11 - 23
A232 2692	Cover - Paper Drive	9 - 21
A232 2762	Paper End Feeler	7 - 13
A232 2763	Pick-up Arm	7 - 2
A232 2764	Rear Grounding Plate	7 - 27
A232 2765	Front Grounding Plate	7 - 10
A232 2766	Feed Mylar	7 - 40
A232 2787	Vertical Transport Guide	7 - 25
A232 2987	Roller - Paper Tray	5 - 17
A232 2995	Front Positioning Guide	3 - 1
A235 2979	Feeler - Paper Height Sensor	5 - 29
A507 1096	Philips Screw - M5x6	3 - 25
A682 1074	Grounding Plate	3 - 17
A682 2552	Front Hook - Vertical Transport	3 - 16
A682 2553	Rear Hook - Vertical Transport Cover	3 - 12
A682 2996	Positioning Guide	9 - 12
A682 6166	Front Stand	3 - 22
A682 6167	Rear Stand	3 - 21
B004 2782	Rear Feed Mylar	7 - 14
B004 2783	Torque Limiter	7 - 11
B004 2922	Release Lever - Side Fence	5 - 7
B004 2923	Spring Plate - Release Lever	5 - 6
B004 2932	Rear Stopper Lever	5 - 11
B004 2933	Rear Stopper	5 - 12
B004 2934	Spring Plate - Lock Lever	5 - 13
B004 2936	Gear - 16Z	5 - 18
B004 2943	Grounding Plate - Paper Tray	5 - 22
B004 2947	Spring Plate-paper Size Sensor	5 - 19
B004 2948	Paper Size Sensor	5 - 21
B004 2995	Cap - Positioning	3 - 30
B077 1286	Stopper:Left	3 - 27
B077 2512	Heat Sink:Heater	11 - 28
B077 2780	Stay:Feed	7 - 33
B077 2781	Bracket:Sensor	7 - 34

Part No.	Description	Page and Index No.
B077 2882	Bracket:Micro Switch	9 - 20
B077 2921	Side Fence:Front	5 - 5
B077 2931	Side Fence:Rear	5 - 10
B077 2940	Tray Bottom Plate:Ass'y	5 - 2
B077 2951	Stopper:Right:Paper Tray	5 - 25
B077 2952	Shoe:Left	5 - 16
B077 2975	Lever:Rise	5 - 23
B077 2988	Cover:Grip:C3	5 - 26
B077 2990	Supporter:Paper Tray:Ass'y	9 - 1
B082 2760	Housing:Paper Feed Unit	7 - 9
B082 2785	Guide Plate:Swivel:Adhesion	7 - 24
B082 2920	Side Fence:Front:Ass'y	5 - 4
B082 2925	Shield:Side Fence:Ass'y	5 - 28
B082 2930	Side Fence:Rear:Ass'y	5 - 9
B082 2937	Paper Stopper:Side Fence	5 - 14
B082 2937	Paper Stopper:Side Fence	5 - 8
B082 2955	Dial:Paper Size Sensor:Printing	5 - 20
B082 2965	Decal:Paper Set Direction	5 - 27
B082 5428	Harness:Paper Feed Unit	7 - 30
B213 2750	Paper Feed Unit	7 - 39
B213 2770	Separation Stay	7 - 18
B213 2777	Shaft:Separate:Driven	7 - 12
B213 2784	Shaft:Separate:Drive	7 - 20
B213 2903	Paper Tray:Universal	5 - 1
B213 2915	Shaft:Rise	5 - 24
B213 2967	Decal:Paper Select:Dial:EXP	5 - 30
B598 2565	Stopper:Vertical Transport:Peen	3 - 15
B601 6310	Bracket:Coupling:Paper Bank	3 - 20
B601 6311	Bracket:Coupling:2	3 - 33
G020 2620	Push Switch - Paper Size	11 - 1
G020 2620	Push Switch - Paper Size	3 - 28
G065 2767	Lever - Feed	7 - 29
G065 2774	Pressure Lever	7 - 21
G065 2775	Link Lever	7 - 22
G065 2776	Release Lever	7 - 15

Part No.	Description	Page and Index No.
G568 2550	Cover:Vertical Transport:Paper Bank	3 - 13
G568 2551	Lever - Vertical Transport	3 - 14
G568 6220	Fixing Screw	3 - 23
G569 2570	Grounding Plate - Vertical Transport Shaft	3 - 32



Part No.	Description	Page and Index No.
AA04 3445	Timing Belt - S3M-360	9 - 2
AA04 3446	Timing Belt - S3M-312	9 - 10
AA06 0691	Tension Spring	7 - 4
AA06 0693	Tension Spring	7 - 37
AA06 0694	Tension Spring	11 - 13
AA06 0695	Tension Spring	9 - 16
AA06 0715	Pressure Spring	3 - 10
AA06 0908	Release Spring	7 - 23
AA06 3573	Compression Spring	3 - 8
AA08 0254	Bushing - M4	3 - 7
AA08 2070	Bushing - 8x16x7	7 - 8
AA08 2072	Bushing - M6	7 - 26
AA14 0655	Shaft - Paper Feed	7 - 28
AA14 0670	Un Lock Shaft	3 - 11
AA14 5260	Gear Shaft	11 - 8
AB01 0156	Gear:Separate:Drive	7 - 19
AB01 0157	Gear:Separate:Driven	7 - 17
AB01 1188	Gear - 21Z	7 - 3
AB01 1189	Gear - 18Z	7 - 7
AB01 4037	Gear - 24Z	9 - 4
AB01 4038	Gear - 22Z	9 - 6
AB01 4039	Gear - 31Z	9 - 18
AB01 4040	Gear - 29Z	9 - 19
AB01 4065	Coupling Gear - 49z/27z	11 - 18
AB01 4066	Gear - 31Z	9 - 14
AB03 0566	Timing Pulley - 20T	9 - 15
AB03 0567	Timing Pulley - 18T	9 - 17
AB03 0567	Timing Pulley - 18T	11 - 7
AB03 0575	Timing Pulley - 20T	9 - 8
AB03 0625	Timing Pulley - 20Z	9 - 3
AF01 3006	Bottom Plate Pad	5 - 3
AF01 7026	End Fence	5 - 15
AF02 0648	Transport Roller:Drive	7 - 32
AF03 0090	Paper Feed Roller:Pickup	7 - 1
AF03 1090	Paper Feed Roller:Feed	7 - 6

Part No.	Description	Page and Index No.
AF03 2090	Paper Feed Roller:Separate	7 - 36
AH01 2013	Stopper Caster - 60kgf	3 - 26
AH01 2014	Caster - 60kgf	3 - 24
AW02 0145	Photointerruptor:Flat	7 - 31
AW02 0157	Paper Feed Sensor	7 - 35
AW02 0160	Paper Feed Sensor	11 - 2
AW02 0160	Paper Feed Sensor	3 - 29
AX04 0224	DC Motor:Rise	11 - 19
AX06 0316	DC Motor:Brushless Motor:S	11 - 16
AX20 0153	Electrical Clutch	9 - 5
AX20 0280	Magnetic Clutch:0.5n.m:28z	11 - 9
AX40 0168	Heater:3.5w:Na/eu	11 - 24

Part No.	Description	Page and Index No.
0353 0060N	Philips Pan Head Bind Screw - M3x6	5 -101
0450 3008B	Tapping Screw - M3x8	5 -104
0450 4008N	Tapping Screw - M4x8	5 -103
0450 4010N	Tapping Screw:M4x10	3 -103
0451 3006N	Tapping Screw - 3x6	3 -101
0451 3006N	Tapping Screw - 3x6	9 -101
0451 3006N	Tapping Screw - 3x6	11 -105
0451 3008B	Tapping Screw - M3x8	7 -101
0451 3008B	Tapping Screw - M3x8	11 -103
0451 3008N	Tapping Screw - M3x8	3 -102
0451 3014N	Tapping Screw:3x14	9 -104
0452 3008N	Tapping Screw - M3x8	5 -102
0453 3006N	Tapping Screw - M3x6	3 -105
0453 3006N	Tapping Screw - M3x6	11 -101
0703 0040N	Spring Washer:Dia4	3 -106
0720 0040E	Retaining Ring - M4	7 -102
0720 0060E	Retaining Ring - M6	9 -103
0720 0060E	Retaining Ring - M6	5 -105
0720 0060E	Retaining Ring - M6	11 -102
0720 0060E	Retaining Ring - M6	7 -103
0740 3008	Ball Bearing - 8x22x7	11 - 5
0802 5276	Tapping Screw With Washer - M3x6	11 -110
0805 0088	Retaining Ring - M6	3 -104
0805 0089	Retaining Ring - M4	7 -105
0805 3480	Bushing - 6mm	7 -104
0805 3480	Bushing - 6mm	9 -102
0951 3006B	Philips Screw With Flat Washer - M3x6	9 -109
0951 3006B	Philips Screw With Flat Washer - M3x6	11 -106
1105 0113	Edge - P108	9 -107
1105 0283	Clamp	9 -110
1105 0283	Clamp	7 -106
1105 0283	Clamp	11 -109
1105 0290	Harness Clamp - Horizontal	9 -106
1105 0290	Harness Clamp - Horizontal	11 -107
1105 0310	Harness Clamp - LWS-1S	9 -108

Part No.	Description	Page and Index No.
1105 0310	Harness Clamp - LWS-1S	11 -108
1107 0392	Fuse - 6.3A 125V	11 -104
1204 2529	Switch - V-5F912DN	9 -105

Part No.	Description	Page and Index No.
5206 2686	Snap Ring	7 - 16
5215 2621	Snap Ring - M6	11 - 22
5447 2681	Snap Ring	7 - 5

Part No.	Description	Page and Index No.